



**OBZERV**

Ultimate Night Vision Technology



# Washing Station

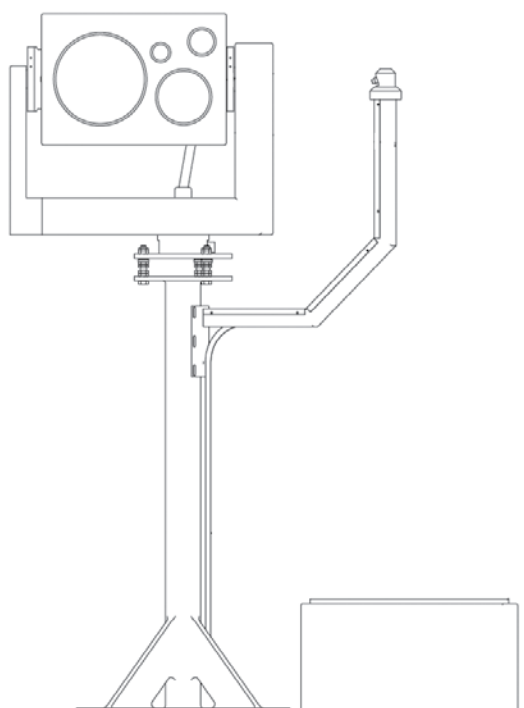
THE OBZERV WASHING STATION allows you to get a cleaner view from your sophisticated camera, while staying in front of the Control Workstation and simply pushing a button on the touch screen.

## OVERVIEW

The nozzle installs directly beside the ARGV camera, out of the field of view. The tank and pump system, weather-proof yet easy to open and refill, sits at the system's foot.

The tank's water tube runs in the nozzle's arm and water is fed by the pump, which is safely located inside the tank assembly.

When the operator presses the washing station button from the Control Workstation, the ARGV camera turns towards the nozzle, the pump sends pressurized water in the water tube, and a thin but strong flat spray comes out of the nozzle to clean out the camera.



## CUSTOM-MADE FOR OBZERV PRODUCTS



The nozzle sends a 60° wide, flat spray.

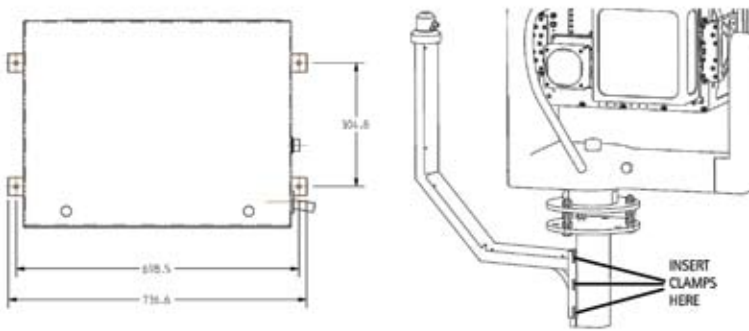


The water tank contains 30 L and the pump has a capacity of 14.3 L per min.

## INSTALLATION INFORMATION

Simply install clamps on the nozzle and fasten the tank on a flat surface, plug the water hose then run the control cable from the pump to the Master Control Unit, and you have yourself a washing station. Just add water. Detailed instructions are in the ARGC installation manual.

### Tank drilling scheme



## KEY SPECIFICATIONS

COMPONENT	DESCRIPTION	QUANTITY
TANK	Capacity	30 L (9 gal)
	Dimensions (L x D x H)	660 x 511 x 406 mm (26 x 20.125 x 16 in.)
	Weight of the assembly	20.6 kg (45.3 lb)
NOZZLE	Spreading angle	65°
WASHER ARM	Weight (with water tube)	4.2 kg (9.2 lb)
PUMP	Capacity	14.3 L/min (4.3 gpm)



WWW.OBZERV.COM  
 400, Jean-Lesage, Suite 201  
 Quebec, Qc, Canada G1K 8W1  
 Tel: 418 524.3522  
 Fax: 418 524.6745  
 info2007@obzerv.com